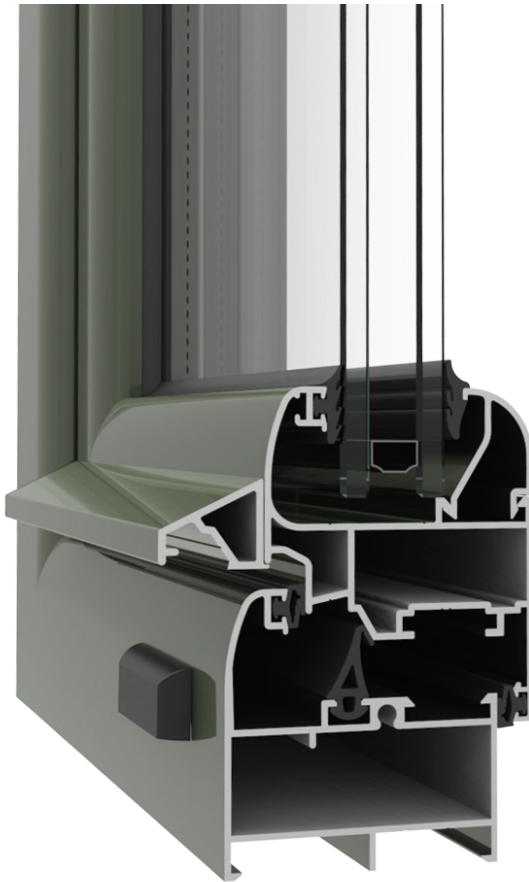


W540

Tilt & Turn System

for affordable quality
and compatibility.



OPENING SYSTEMS



System Identity

W540 is the upgrading of the AL510 series. New profiles and configurations make W540 a complete system with very good features.

Particularly emphasizing on design, resistance and functionality, the system has been principally designed in order to facilitate the construction procedure and reduce the installation time. W540 can be realized with all types of inward and outward opening windows and doors, with an extensive choice of different mechanisms. These characteristics place W540 among the most flexible, affordable non-insulated systems of the market. The numerous combinations of elements and the perfect match with the sliding frames of the SL230 system, make W540 extremely suitable for all types of building concepts.

Features & Benefits

- Robust and durable system of elevated functionality
- Numerous aesthetic options from profiles in straight and curved cross sections
- Exceptional water tightness characteristics
- Possibility to be combined with the sliding frames of the SL230 system

Configurations

Casement windows

1Leaf - 2Leaf - 3Leaf - 4Leaf

Casement-awning windows

1Leaf - 2Leaf

Shutters: 1Leaf - 2Leaf - 3Leaf - 4Leaf

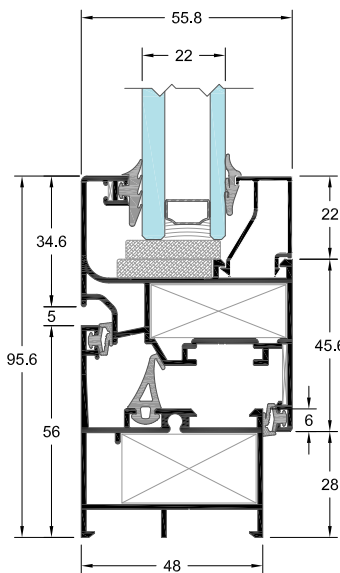
Doors: 1Leaf - 2Leaf - Tilt & Slide (VW)

Angular structure: 35°-175° with Ø60

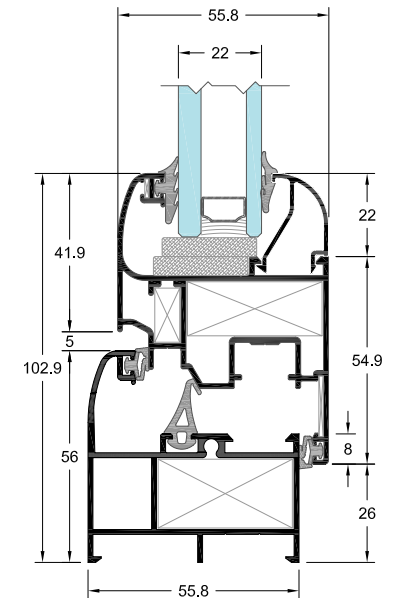
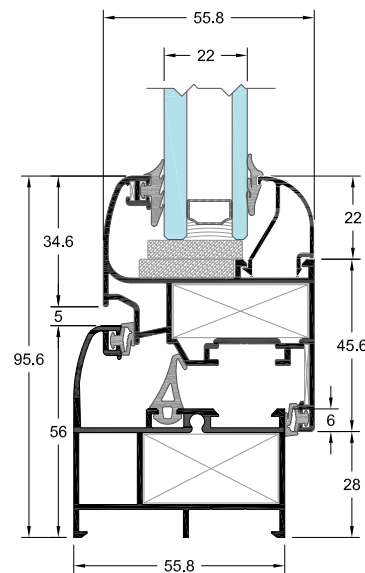
Fixed-picture windows

Combinations

2Leaf sliding with insect screen SL230 with opening W540



CAMERA EUROPEA



CAMERA ALU 16

HARDWARE

CAMERA	CE	ALU 16
--------	----	--------

SYSTEM PROFILE DIMENSIONS

MIN. FRAME DEPTH mm	48	55.8
MIN. FACE HEIGHT mm	95.6	102.9
GLASS THICKNESS mm	4-32	4-32

CONSTRUCTION DIMENSIONS

SASH WIDTH mm	365-1600	360-1490
SASH HEIGHT mm	360-2400	450-2360
MAX. SASH DIMENSIONS mm (WxH)	1600x2100 / 1300x2400	1490x2100 / 1300x2360
MAX. SASH WEIGHT Kg	130, 150*, 200**	130, 150*, 200**

CERTIFICATES/PERFORMANCES

AIR PERMEABILITY EN 12207	Class 3	Class 4
WATER TIGHTNESS EN 12208	E750	Class 8A
RESISTANCE TO WIND LOAD EN 12210	Class C5	Class C4
BURGLAR RESISTANCE EN 1627	RC2/RC2N	N/A
SOUND REDUCTION R _w EN 717	N/A	N/A

*Reinforced Tilt and Turn | **Hinged with heavy duty hinges



FLAT CURVED